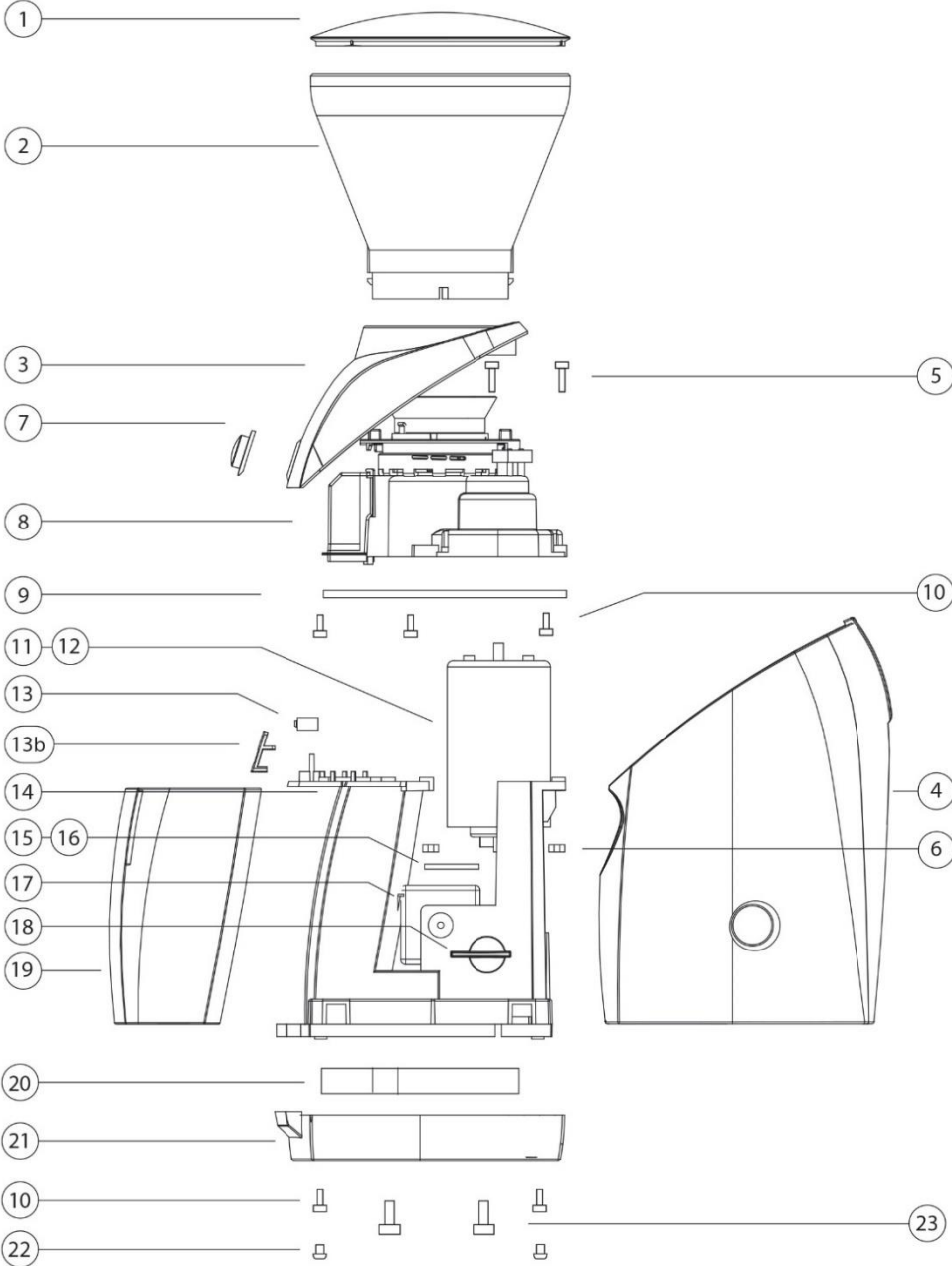


Parts List and Exploded Views

Virtuoso Main Assembly

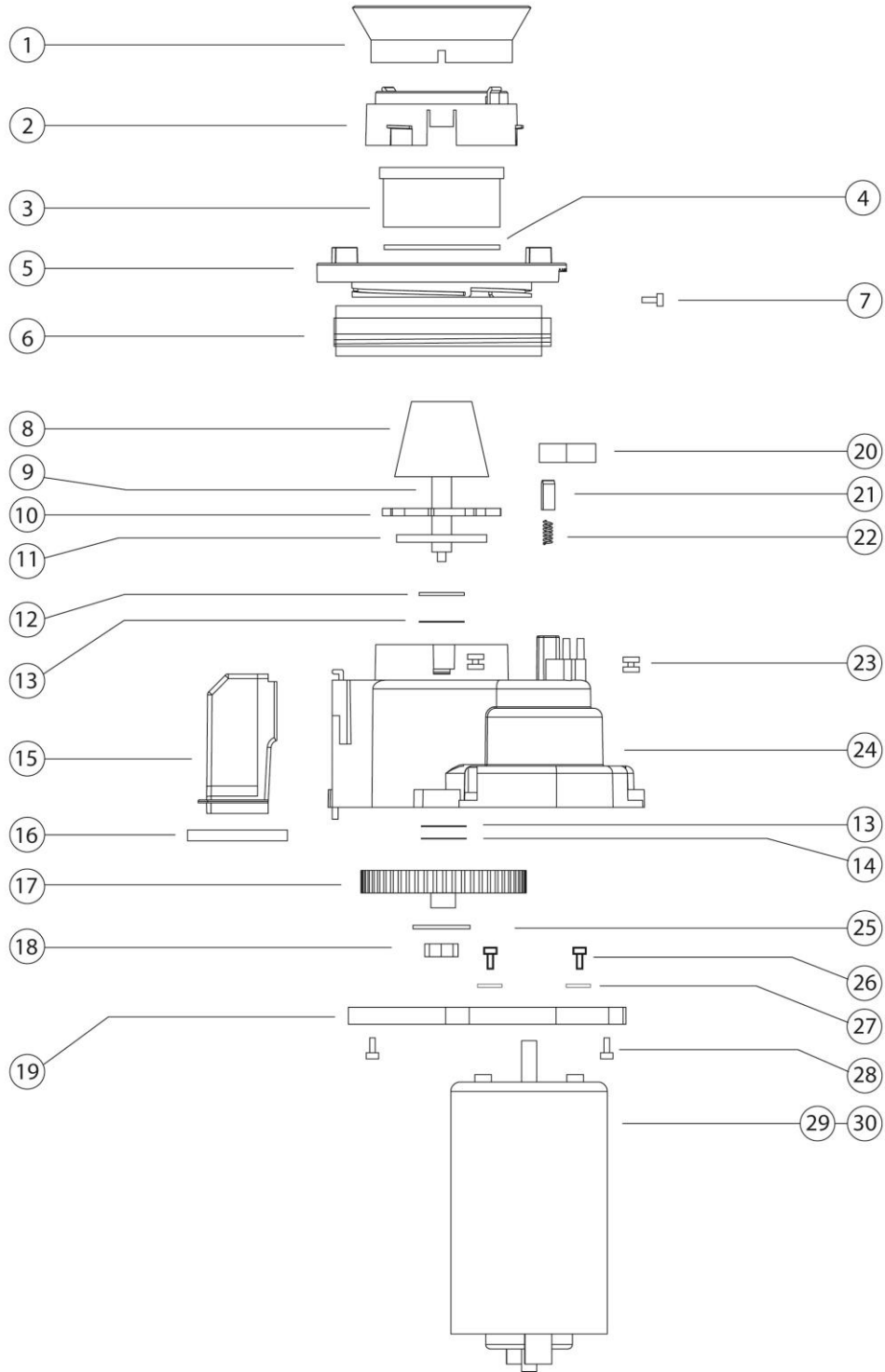


Virtuoso Main Assembly

Item #	Part #	Part Description	Total Used
1	6010*	Hopper Lid	1
2	6011**	Hopper	1
3	6014	Top Case	1
4	6050	Rear Case	1
5	6119**	Gearbox Chassis Through Bolt M3x20	2
6	6120**	Gearbox Chassis Through Bolt Nut	2
7	6016	Silicon Pulse Button	1
8	na	Gearbox Assembly	1
9	6094*	Conical Motor Plate	1
10	6121	M3x12 Motor Mounting Screw	1
11	6026**	120v Motor	1
12	6027**	230v Motor	1
13	6032*	Micro Switch	1
13b	6033	Pulse Button Bracket	1
14	6035*	Chassis	1
15	6082*	120v Printed Circuit Board	1
16	6083*	230v Printed Circuit Board	1
17	6036	Timer Switch + Nut (D-Shape)	1
18	6139	Knob For Virt (D-Shape)	1
19	6042	Grounds Bin	1
20	8020	Metal Ballast	1
21	6044	Metal Base	1
22	6049	Rubber Feet	4
23	6122	Screw Ballast	2

** Frequently needed service parts *Occasionally needed service parts NOTE: No need to stock parts without asterisks.

Virtuoso Grind/Motor Assembly



Virtuoso Grind/Motor Assembly

Item #	Part #	Part Description	Total Used
1	6066**	Silicone Gasket	1
2	6068**	Ring Burr Holder	1
3	6170	M2 Ring Burr	1
4	6065	Ring Burr O-Ring	1
5	6076**	Adjustment Ring	1
6	6077**	Calibration Ring	1
7	6177**	Calibration Set Screw	1
8	6175	M2 Cone Burr	1
9	6078	Drive Shaft	1
10	6080**	Paddle Wheel	1
11	6081**	Paddle Wheel Felt	1
12	6084*	1.5mm Shim	1
13	6086*	0.5mm Shim	2
14	6085*	0.25mm Shim	2
15	6088	Grounds Chute	1
16	6089	Grounds Chute Gasket	1
17	6091**	Main Drive Gear	1
18	6192	13mm Drive Shaft Nut	1
19	6094*	Motor Mounting Plate	1
20	6032*	Micro Switch	1
21	6196**	Detent	1
22	6197*	Detent Spring	1
23	6105*	Grommet Sleeve Assembly	3
24	6000	Gear Box Housing	1
25	6193	Drive Shaft Lock Washer	1
26	6189	M5x12 Motor Mount Screw	2
27	6190	Motor Plate Lock Washers	2
28	6121	M3x12 Motor Mounting Screw	4
29	6026**	120v Motor	1
30	6027**	230v Motor	1

** Frequently needed service parts *Occasionally needed service parts NOTE: No need to stock parts without asterisks.