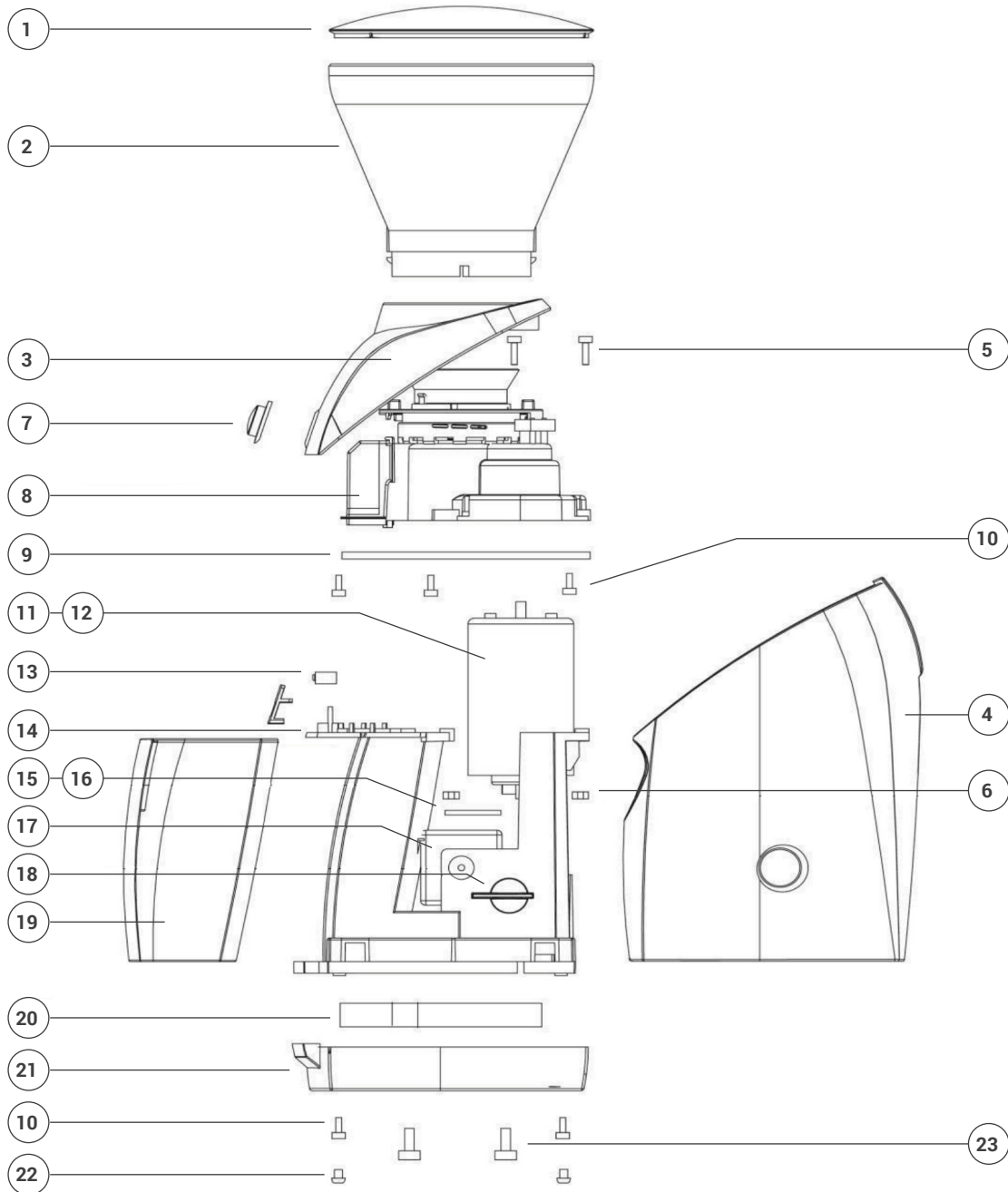




Encore

Parts List & Exploded View

MAIN ASSEMBLY



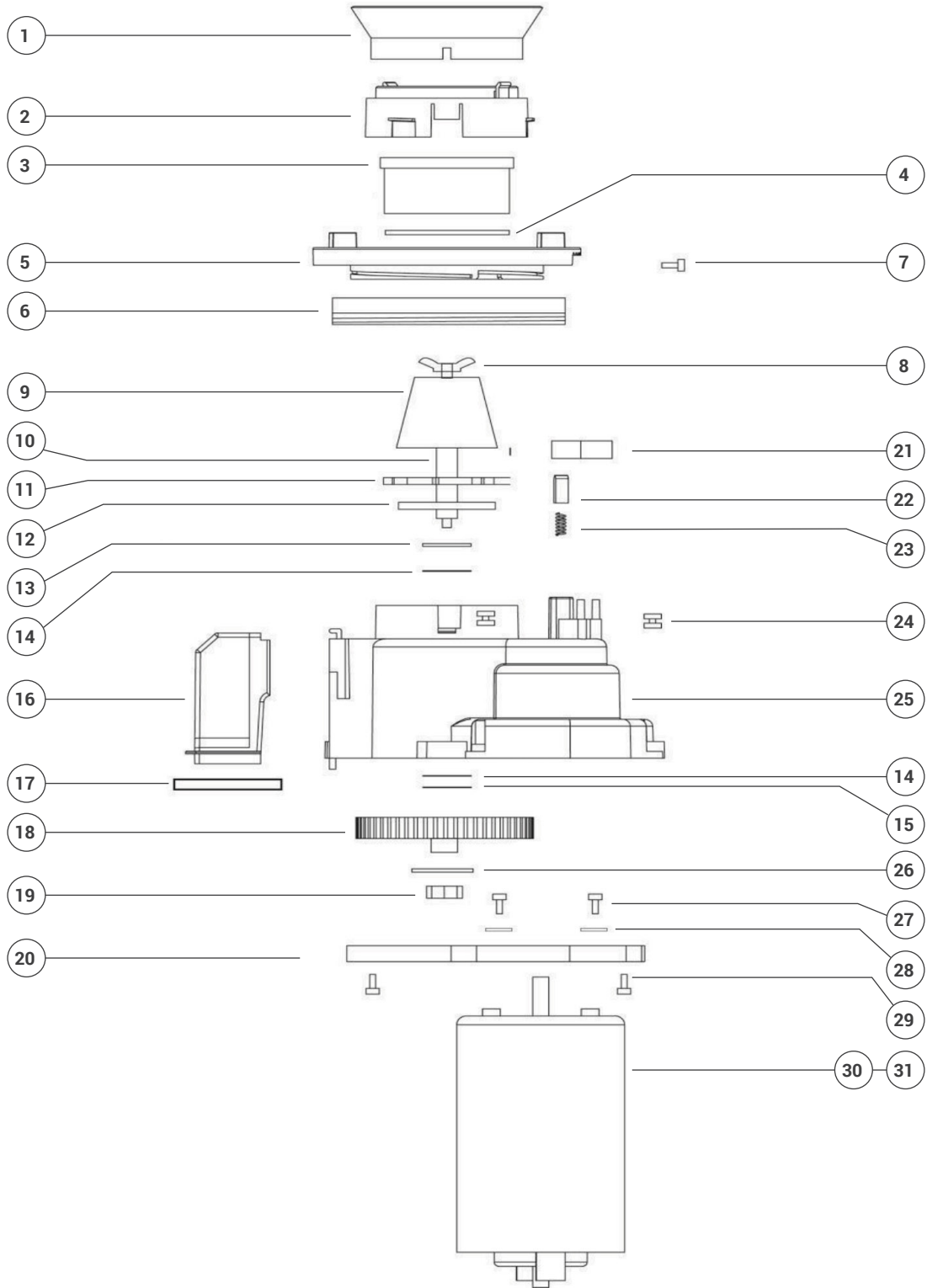
ENCORE MAIN ASSEMBLY

Item Number	Part Number	Part Description	Total Used
1	1010*	Hopper Lid (Clear)	1
2	6111**	Hopper (Clear)	1
3	6013	Top Case	1
4	6051	Rear Case	1
5	F6119**	M3x20 Machine Screw	2
6	F6120**	M3 Hex Nut	2
7	na	Hing pulse button (part of top case)	1
8	na	Conical Gearbox Sub-Assembly	1
9	6094*	Conical Motor Plate	1
10	F6121	M3.5x11 Plastic Thread Cutting Screw	9
11	6026**	120v Motor	1
12	6027**	230v Motor	1
13	6032*	Micro Switch	1
14	6035*	Conical Chassis	1
15	6082*	120v Printed Circuit Board	1
16	6083*	230v Printed Circuit Board	1
17	6037	On/Off Switch	1
18	6038	On/Off Knob	1
19	6142	Conical Grounds Bin Clear w/Fill Line	1
20	8020	Metal Ballast	1
21	6045	Plastic Base	1
22	6049	Rubber Feet	4
23	F6122	M6-1.25x8 machine screw	2

** Frequently needed service parts

* Occasionally needed service parts NOTE: No need to stock parts without asterisks.

ENCORE GRIND/MOTOR ASSEMBLY



ENCORE GRIND/MOTOR ASSEMBLY

Item Number	Part Number	Part Description	Total Used
1	6066**	Silicone Gasket	1
2	6068**	Ring Burr Holder	1
3	6170	M2 Ring Burr	1
4	6065	Ring Burr O-Ring	1
5	6076**	Adjustment Ring	1
6	6077**	Calibration Ring	1
7	F6177**	M2x6 Self Tapping Screw	1
8	F6179	M4 left hand thread wing nut	1
9	6173	M3 Cone Burr	1
10	6079*	Encore Shaft (Accepts Wing Nut)	1
11 & 12	6380**	Paddle Wheel w/Felt	1
13	6084*	1.5mm Shim	1
14	6086*	.5mm Shim	3
15	6085*	0.25mm Shim	1
16	6088	Ground Chute	1
17	6089	Ground Chute Gasket	1
18	6091**	Main Drive Gear	1
19	F6192	M8 hex nut	1
20	6094*	Motor Mounting Plate	1
21	6032*	Micro Switch	1
22	6196**	Detent	1
23	6197*	Detent Spring	1
24	6105*	Grommet Sleeve Assembly	1
25	6000	Conical Gearbox Housing (w/2 6105 Grmt Sly)	1
26	F6193	M8 Internal tooth star lock washer	1
27	F6189	M5x12 Machine Screw	2
28	F6190	M5 external tooth star lock washer	2
29	F6121	M6-1.25x8 machine screw	4
30	6026**	120v Motor	1
31	6027**	230v Motor	1

** Frequently needed service parts

* Occasionally needed service parts NOTE: No need to stock parts without asterisks.