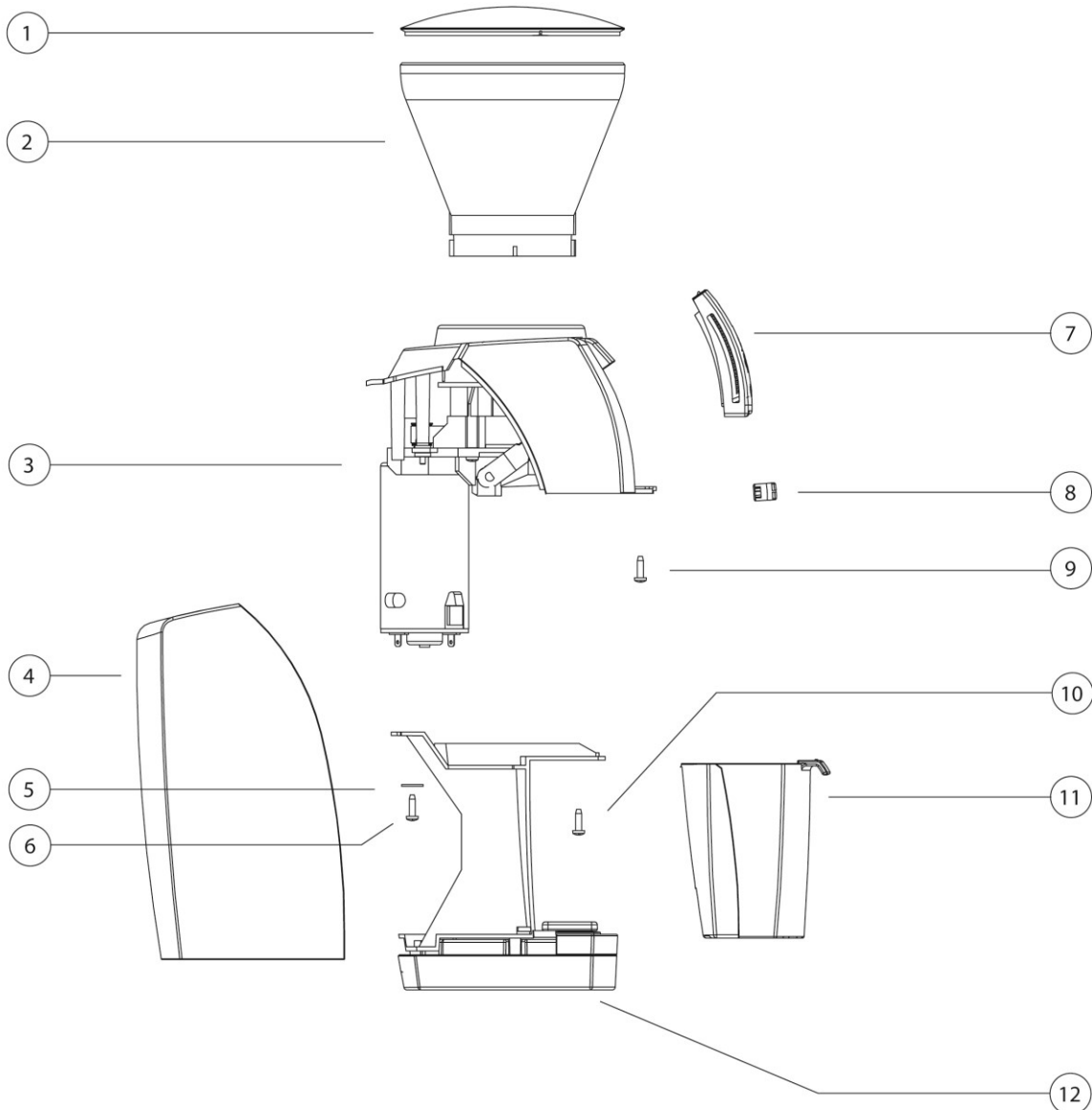


# Parts List and Exploded Views

## VARIO-W

### VARIO-W Primary Components

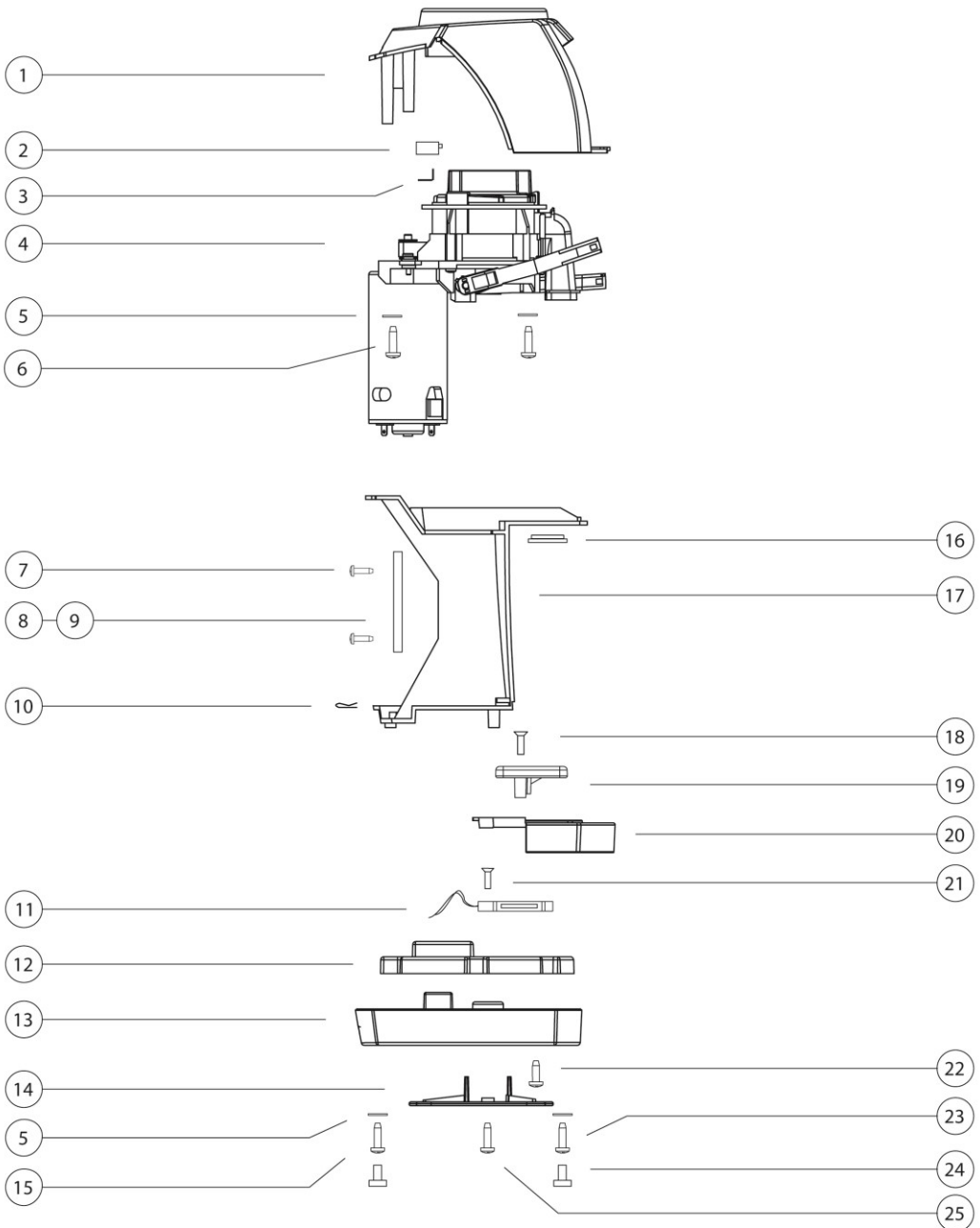


## VARIO-W Primary Components

Item #	Part #	Part Description	Total Used
1	6010	Lid For Hopper (Frosted)	1
1	1010	Lid For Shut-Off Hopper (Clear)	1
2	6011*	Hopper	1
2	1012*	Shut off Hopper (rev. 1.2) with spring ball (Not Shown)	1
3	NA	Grind Chamber Top Casting (Assembly)	1
4	8035	Black Plastic Rear Housing	1
5	8093*	Washer 3mm	2
6	8029*	Phillips M3x12	2
7	9074*	Vario-W Display Assembly	1
8	8050**	Vario Knob	2
9	8275*	Phillips Screw For Mounting Display Panel	1
10	8214*	M3 Phillips Head Screw	2
11	9160*	Grounds Bin	1
12	NA	Main Structure (Assembly)	1

\*\* Frequently needed service parts    \*Occasionally needed service parts    NOTE: No need to stock parts without asterisks

## VARIO-W Mechanical Assembly

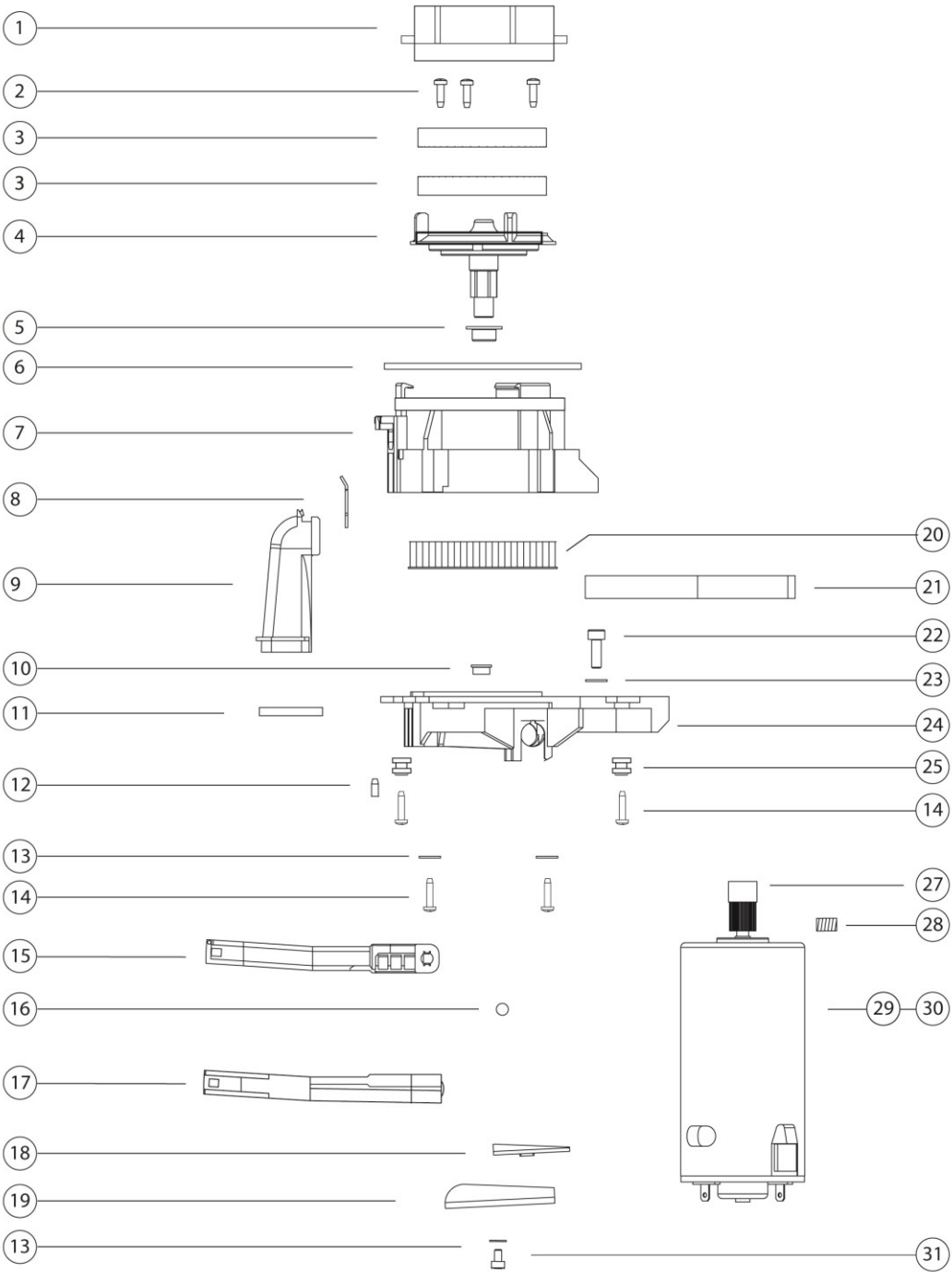


## VARIO Mechanical Assembly

Item #	Part #	Part Description	Total Used
1	8301	Top Casting	1
2	6032	Micro Switch	1
3	8032	L-Bracket For Vario- Holds On Micro Switch	1
4	NA	Grinding Chamber Assembly	1
5	8093	Washer 3mm	6
6	8302*	Phillips Pt 3.5x16 Assembly	4
7	8260*	Phillips Screw 3x7	4
8	9060**	110v Power Board	1
9	9061**	230v Power Board	1
10	8223	Tinnerman Clip	2
11	9085	Load Cell	1
12	8020	Metal Ballast	1
13	8321	Black Plastic Base	1
14	8322	Black Plastic Cord Cover	1
15	8235*	Phillips Screw 3x20	2
16	8094	Calibration Grommet	1
17	8023	Vario Chassis	1
18	9285	Black Phillips Metal Screw M3x30	2
19	9086	Black Weight Platform	1
20	9027	Vario-W Belt Casting	1
21	9286	Load Cell Mounting Screw M3x8	1
22	6246	Phillips Screw 8.1x1/4x 8.5	4
23	8228	Phillips M3x10	2
24	6049*	Rubber Feet	4
25	6047	Phillips Screw PT 3.5x16	5
NS	9029	Load Cell Ground Wire	1
NS	6028*	Motor Ground Wire	1

\*\* Frequently needed service parts    \*Occasionally needed service parts    NOTE: No need to stock parts without asterisks

# VARIO-W Grind Assembly Components



## VARIO-W Grind Assembly Components

Item #	Part #	Part Description	Total Used
1	8067	Upper Burr Carrier (rev. 1.2) shorter wing (not threaded)	1
2	8269*	Ceramic Burr Retaining Screws	6
3	8174*	Ceramic Burrs each	1
3	8170	Steel Burrs Pair	1
4	8070	Vario Rotating Burr Carrier	1
5	8058	Upper Bushing	1
6	8224	Grind Chamber Gasket	1
7	8024	Plastic Grind Chamber	1
8	8087	Anti-Static Flapper	1
9	8088	Discharge Chute	1
10	8059	Lower Bushing	1
11	8089	Ground Chute Gasket (Vario)	1
12	8096*	Secondary Calibration Screw	1
13	8093	Washer 3mm	4
14	8029*	Phillips M3x12	4
15	8053*	Plastic Micro Adjustment Arm	1
16	8051*	Micro Cam	1
17	8052*	Plastic Macro Adjustment Arm	1
18	8046	Grind Adjustment Spline	1
19	8045*	Adjustment Rocker	1
20	8056*	Vario Main Drive Pulley With Metal Sleeve	1
21	8077**	HTD Belt 112mxl	1
22	8026*	Allen Head Screw M5x12	2
23	8076*	Star Washer 5mm	4
24	8091	Motor Plate	1
25	6105	Grommet Sleeve Assembly	4
27	8090**	Motor Pulley	1
28	8296**	Hardened 2mm hex drive Pulley Set Screw	1
29	6026*	110v Motor	1
30	6027*	230v Motor	1
31	8095*	Primary Calibration Screw	1
NS	6390**	Vario Belt And Pulley	1
NS	8097	Jumper Wire P3 to Display	1
NS	8098	Jumper Wire P3 to Microswitch	1

\*\* Frequently needed service parts    \*Occasionally needed service parts    NOTE: No need to stock parts without asterisks