

Sette™ 30

Thank you for choosing the Baratza Sette 30 for your home grinding needs!

This is just a quick start guide. If you would like more detailed instructions, please skip ahead to the full manual, found online at baratza.com/documentation/

Setup:

Install the lid onto the bean hopper. Line up the 3 hopper tabs with the slots in the top of the grinder. Set the hopper in place and rotate firmly clockwise until the hopper clicks into place. Note: the grinder motor will not turn on with the hopper removed. Ensure the shutoff knob is in the open position before grinding coffee. Note: the grinder will also not run if the black indicator on the adjustment ring is set above setting 31. Upon first use, you will need to rotate your adjustment ring below setting 31.

The arms that hold your grounds bin, can also be converted to portafilter mode, and used as a rest while you dose directly into a portafilter. To convert the arms, pull them straight out, rotate 90° and reinsert. Note: this does not allow hands-free grinding into the portafilter, it helps to position the portafilter for improved grounds transfer from the grinder.

Grind Size Adjustment:

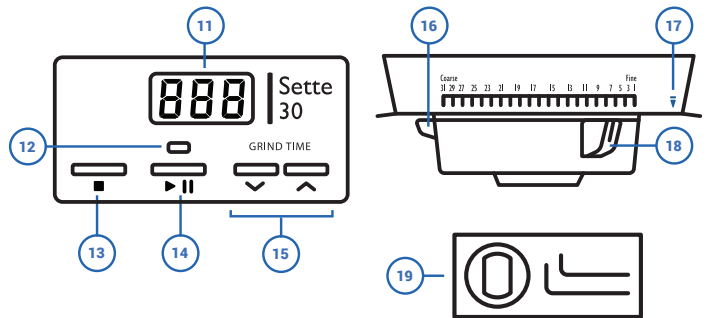
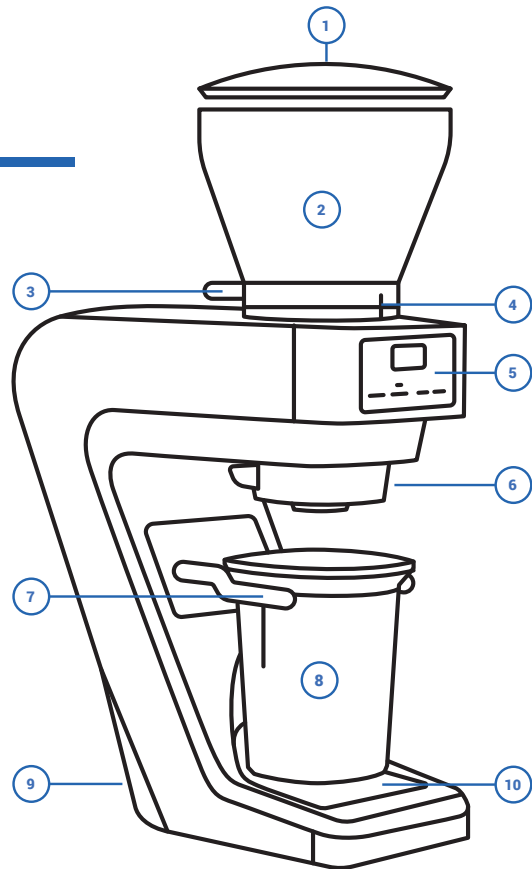
The adjustment ring moves from coarse (31) to fine (1). With the grinder running, turn the knob to the right to move from coarse to fine. Espresso: start between 7 and 10, Manual brew: start at 25.

Grinding Operation:

Place the grounds bin on the arms. Use the up and down arrows to change your desired grind time. Press the START button (>||) to begin grinding. While grinding, the screen will count UP the seconds and stop when the preset time is reached. When the screen reaches the preset time, the motor will stop and the display will reset again to the programmed time. For manual operation, press and hold the START button until you obtain the desired amount of coffee, then release the START button, the grinder will then stop with the screen showing the total amount of seconds run. To get out of manual mode, press STOP.

First Use:

We first recommend that you grind a handful (~40g) on setting 15 and discard. This begins the burr seasoning process and primes the grinder for normal operation.



Parts Identification

- | | |
|-------------------------------|---|
| 1. Hopper Lid | 11. LCD Display |
| 2. Bean Hopper | 12. Grinding Indicator |
| 3. Bean Shutoff Knob | 13. Stop |
| 4. Hopper Alignment Indicator | 14. Start/Pause |
| 5. Control Panel | 15. Grind Time Adjustment Buttons |
| 6. Grind Adjustment Assembly | 16. Installation/Removal Tab (blue) |
| 7. Convertible Device Arms | 17. Installation/Removal Indicator (blue) |
| 8. Grounds Bin | 18. Grind Setting Indicator (black) |
| 9. Power Cord Port | 19. Bag of Tools |
| 10. Removable Grounds Tray | |

WARNING: The Sette grinds at a very high speed, be careful not to overfill your bin! If a mound of coffee backs up into the chute, it will clog the grinder and blow the internal fuse.

Bag of Tools:

We have included a small bag with a 5mm hex key and burr shims for calibration. Installing a shim is only needed if the grind at setting 1 is not quite fine enough. In our experience, installation of a shim is generally needed after 1-2 kilos of espresso grinding, but may be needed before that. Shimming will likely be needed, at some point, based on use.

When needed, installation of just 1 shim is recommended and will shift the grind finer by about 6 settings. Installing 2 shims at once can shift the grind range to be so fine that it causes undue stress.

Detailed shimming instructions can be found in the full manual, at the link on the right.

Still Need Help?

If you have any questions or concerns, please email: support@baratza.com

The full manual can be found on our website at: baratza.com/documentation

For video instructions and troubleshooting guides: baratza.com/troubleshooting

SAFETY INFORMATION:

Please read the information below very carefully. It contains important safety information for this appliance. Please keep these instructions for future reference.

- ! Use only with AC current and the correct voltage. See the label on the base of the grinder to determine the correct voltage.
- ! Only clean the grinder housing with a dry or slightly damp cloth. Do not immerse the grinder, plug or cord in water or any other liquid.
- ! Baratza will not accept any liability for damage, injury, or warranty if the grinder is used other than for its intended purpose (i.e. grinding roasted whole coffee beans) or is improperly operated or repaired.
- ! Keep the appliance and its cord out of reach of children aged less than 8 years
- ! Do not operate the grinder with a damaged cord or plug. If the supply cord is damaged, it must be replaced by the manufacturer, its service agent or similarly qualified persons in order to avoid a hazard
- ! Do not leave your grinder unattended while turned ON.
- ! This appliance can be used by children aged from 8 years and above and persons with reduced physical, sensory or mental capabilities or lack of experience and knowledge if they have been given supervision or instruction concerning use of the appliance in a safe way and understand the hazards involved.
- ! Cleaning and user maintenance shall not be made by children without supervision.
- ! Always unplug the grinder from the electrical supply before assembling, disassembling or cleaning.
- ! To unplug, grasp plug and remove from the outlet. Never pull on the cord.

CAUTION: ALWAYS unplug the electrical supply cord prior to cleaning the grinder.