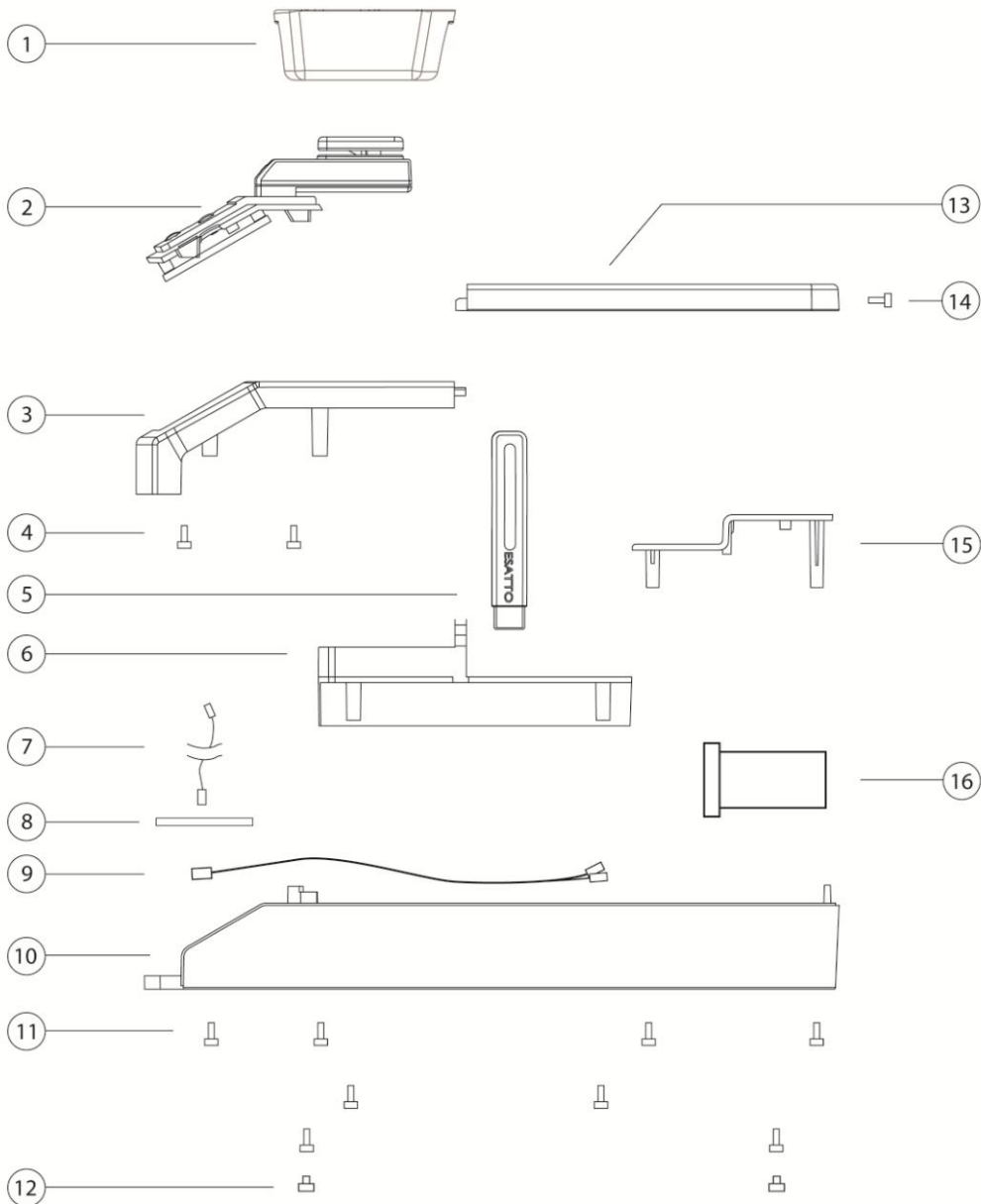


# Parts List and Exploded Views

## ESATTO

### ESATTO Main Assembly



## ESATTO Main Assembly

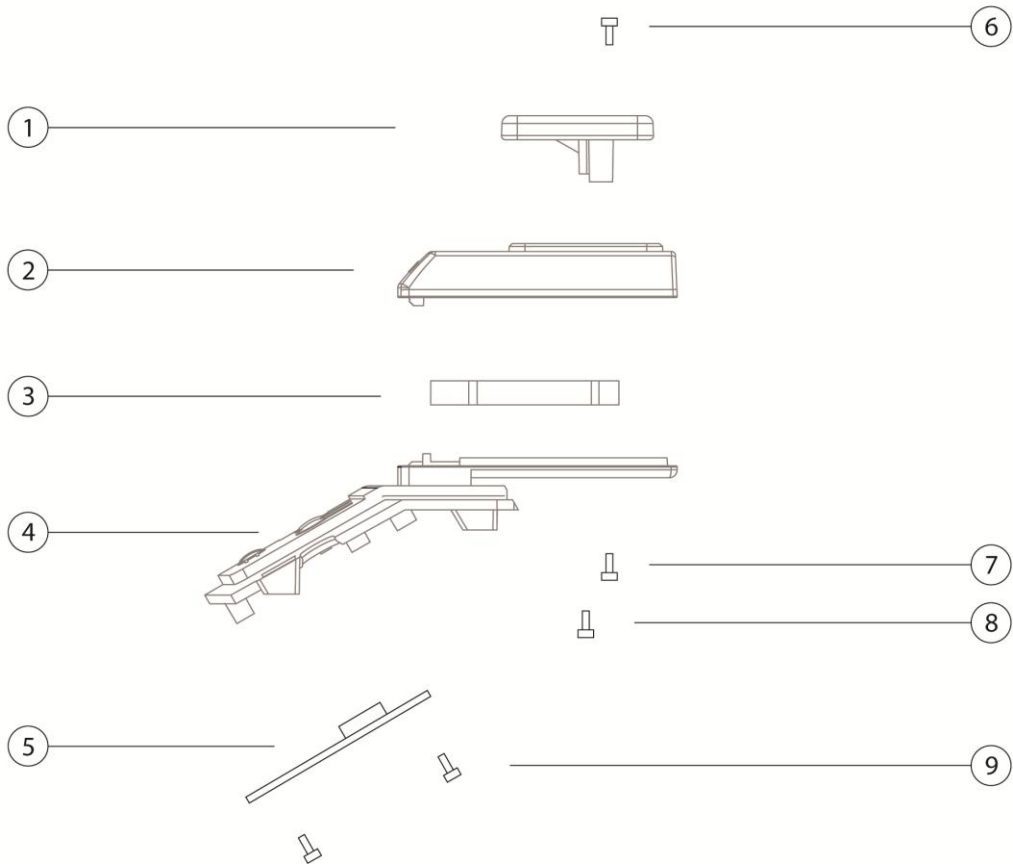
Item #	Part #	Part Description	Total Used
1	7025*	Grounds Bin Esatto	1
2	6397*	Load Cell/ Display Assembly	1
3	7030	Esatto Front Casting	1
4	7040	Display Assembly Mounting Screw	4
5	7050	Timer Knob Retainer	1
6	7023/24*	Esatto Grinder Shelf (L/R)	2
7	7021	Four Wire Jumper ( Faceplate to PCB)	1
8	7026*	Esatto Printed Circuit Board	1
9	7036	Jumper Wire From PCB To Internal Outlet	1
10	7029	Esatto Chassis	1
11	8228	Phillips M3x10	4
12	6049*	Rubbert Feet	1
13	7039	Esatto Rear Casting	1
14	7031	Phillips M3x8	1
15	7038	Power Outlet Cover	1
16	7037	Internal Power Outlet	1

\*\* Frequently needed service parts.

\*Occasionally needed service parts.

No need to stock the parts without asterisks.

## ESATTO Load Cell / Display Assembly



## Load Cell / Display Assembly

Item #	Part #	Part Description	Total Used
1	9086	Weight Platform	1
2	7028	Load Cell Cover	1
3	9085**	Load Cell	1
4	7033	Main Front Panel Enclosure	1
5	7027*	Touch Panel PCB	1
6	9285	Black Phillip screw M3x18	2
7	7034	M3x6 Screws - Load Cell Cover	2
8	9286	Phillips Load Cell Mounting Screw M3x13	2
9	7035	M3x6 Screw for Touch Panel PCB	5