

270 & 270W MAIN ASSEMBLY

Item #	Part #	Part Description	Total Used
1	1010*	Lid for Shut-off Hopper (Clear)	1
SA6	S012*	Sette Shut Off Hopper Assembly	1
SA3a	S056**	Sette Gear Box/Motor/Ring Burr Assy (110V)	1
SA3b	S057**	Sette Gear Box/Motor/Ring Burr Assy (220V)	1
SA1a	S075**	Sette 270 Display Assy	1
SA1b	S076**	Sette 270-W Display Assy	1
5	S122	Screw PT TR10 KA20x8	4
6	S097	Jumper wire from display panel to power board black, red, blue	1
7	S098	Jumper wire from micro switch white black brown	1
8	S102	Ground wire from display to ballast	1
9	S160*	Sette Grounds Bin	1
10	S161*	Sette Dust Tray	1
11	S036	Front Case (Silver)	1
12	S023	Sette Chassis	1
26a	S071	Sette AP cone burr (standard in Sette 270)	1
NS (26b)	S072	Sette BG cone burr (standard with Sette 30)	1
27	S520*	Sette Cone Burr Holder	1
28	S521*	Screw M8*35	1
SA2a	S068**	Sette AP Cone Burr w/Burr Holder and Screw Assy (S520, S521, S071)	1
SA2b	S067**	Sette BG Cone Burr w/Burr Holder and Screw Assy (S520, S521, S072)	1
29	S522*	Sette Nozzle	1
SA2c	S069*	Sette 270 270W Adjustment Assembly	1
14	6122	Screw Metal Ballast	1
15	S099	Power Input to Circuit Board Assy	1

SA4a	S351*	Convertible Device Holder 270	1
SA4b	S085*	Sette 270 W Convertible Device Holder & Load Cell Assy (with circuit board)	1
71a	S557*	Load Cell (With Acaia PCB) Part of S085	1
17	S321	Sette Base	1
18	S121	Screw PT_TR10_ 3.5*11.5	4
19	S101	Load cell to Ballast ground wire (Short) (270W)	1
20	S-FOOT**	Feet	5
SA5	S035	Top/Back Case (Black)	1
21a	S300	Standard Power Cord	1
21a	S301	Euro Power Cord (Plug F)	1
21a	S302	Power Cord UK (G)	1
21a	S303	Power Cord (I)	1
21a	S304	Power Cord Japan (JET)	1
21a	S305	Power Cord (L)	1
21a	S306	Power Cord (M)	1
21a	S307	Power Cord (N)	1
22a	S060*	Sette Power Board (110)	1
22b	S061*	Sette Power Board (230)	1
23	S091	Sette Power Board Mounting Bracket (Not For Sale)	1
24a	S028*	Sette Cable/Capacitor Assy Motor to PCB (110)	1
24b	S029*	Sette Cable/Capacitor Assy Motor to PCB (230)	1
25	S100*	Jumper wire Load cell PCB to Power Board	1
93	S032	Micro Switch Long Foot	1
NS	S063**	Fuse 110 Volt (T3.15A)	1
NS	S064**	Fuse 230 Volt (T2.0A)	1
NS	S548	Adjustable Porta Filter Hook	1
NS	S570	Arm Sleeve Right	1
NS	S571	Arm Sleeve Left	1

** Frequently needed service parts

* Occasionally needed service parts

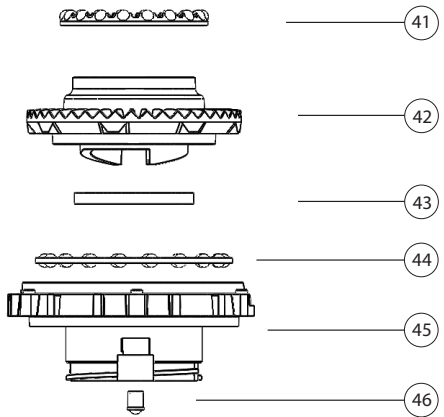
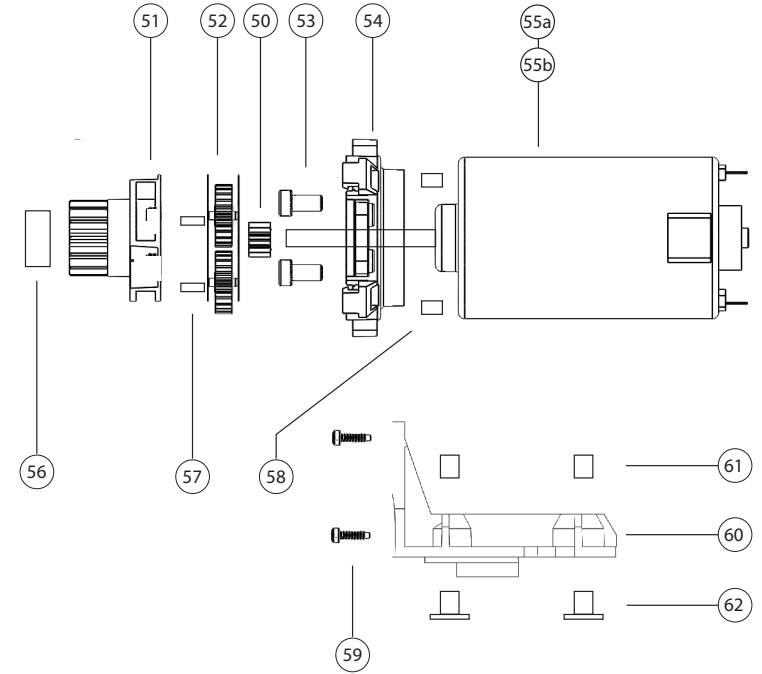
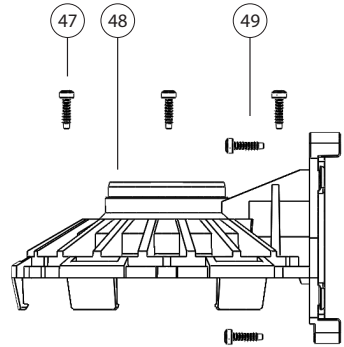
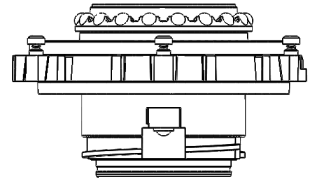
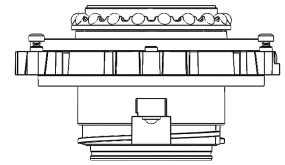
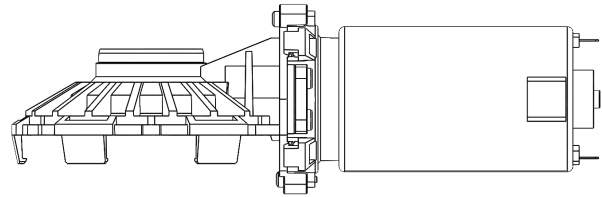
NS (Not Shown)



Parts List & Exploded View

MOTOR/GEARBOX
ASSEMBLY (SA3)

Sette 270 | Sette 270W



270 & 270W MOTOR/GEARBOX ASSEMBLY (SA3)

Item #	Part #	Part Description	Total Used
SA3a	S056*	Sette Gear Box/Motor/Ring Burr Assy (110V)	1
SA3b	S057*	Sette Gear Box/Motor/Ring Burr Assy (220V)	1
41	S527	Top ball cage (with steel balls) ‡	1
42	S528*	Crown Wheel	1
43	S529	Felt gasket ‡	1
44	S530	Bottom ball cage (with steel balls) ‡	1
45	S531	Bottom gear box case ‡	1
46	1354	Detent Ball ‡	1
47	S580	Screw for gear box assy X6 ‡	3
48	S532	Top gear box case ‡	1
49	S533	Screw(s) PT KA30*12 ‡	4
50	S122	Sun Gear (comes with motor) ‡	1
51	S534	Planet carrier ‡	1
52	S535	Planet wheel (3) ‡	3
53	S536	T20 M5*10 (4) ‡	4
54	S537	Planetary Gear Box Housing ‡	1
55a	S538**	Motor DCT-M-004-D (DJ 100-120V) w/ sun gear (Part of S056)	1
55b	S539**	Motor DCT-M-005-D (DJ 200-240V) w/sun gear (Part of S057)	1
56	S540	Bushing ‡	1
57	S541	.25*9.8 M6 Pins (3) ‡	3
58	S542	Insert Nuts (4) ‡	4
59	S543	Screw (T10 M3*10) (4) ‡	4
60	S544	Motor Bracket ‡	1
61	S545	Sleeve ‡	1
62	S546	Sleeve Insert ‡	1

** Frequently needed service parts

* Occasionally needed service parts

‡ Not Sold Separately